



Features

- Compact design, optimized for stacking and precision vertical transfer
- For light weight and high speed transfer
- Miniature LM guide available
- Table slide pneumatic cylinder
- Symmetrical table position available
- Photo sensor comes by default

How to Order

NLPS 25 - 30 - R - S1

①

②

③

④

⑤

① Series

Symbol	Item
NLPS	Compact single table cylinder

② Product Size

Symbol	Table Height
25	35.5 mm
32	49 mm

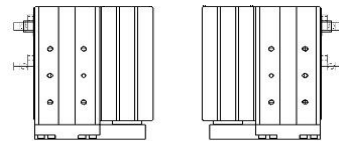
③ Stroke

Symbol	Stroke	Model Applied
30	30mm	NLPS 25
50	50mm	NLPS 25, 32
75	75mm	NLPS 25, 32
100	100mm	NLPS 32

④ Table Position

Symbol	Cylinder Mounting
R	Standard (Table to the right)
L	Symmetrical (Table to the left)

<Symmetrical : L> <Standard : R>



⑤ Number of Sensor

Symbol	Number of Sensor
S1	1 Photo sensor
S2	2 Photo sensors

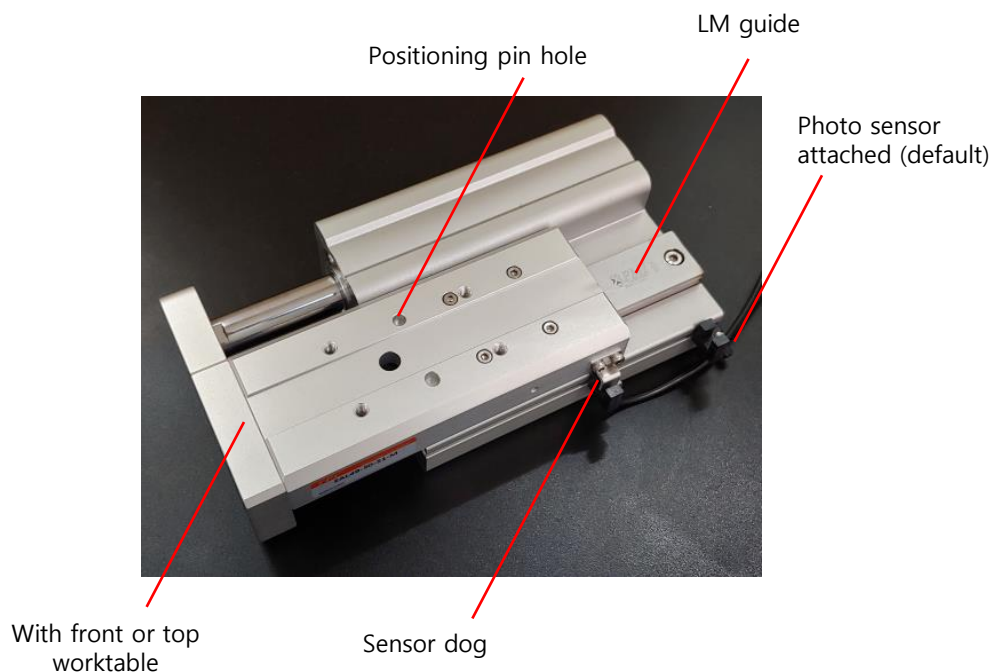
Note) Standard sensor length: 1M / Sensor dog included

NLPS Series (Compact single table cylinder)

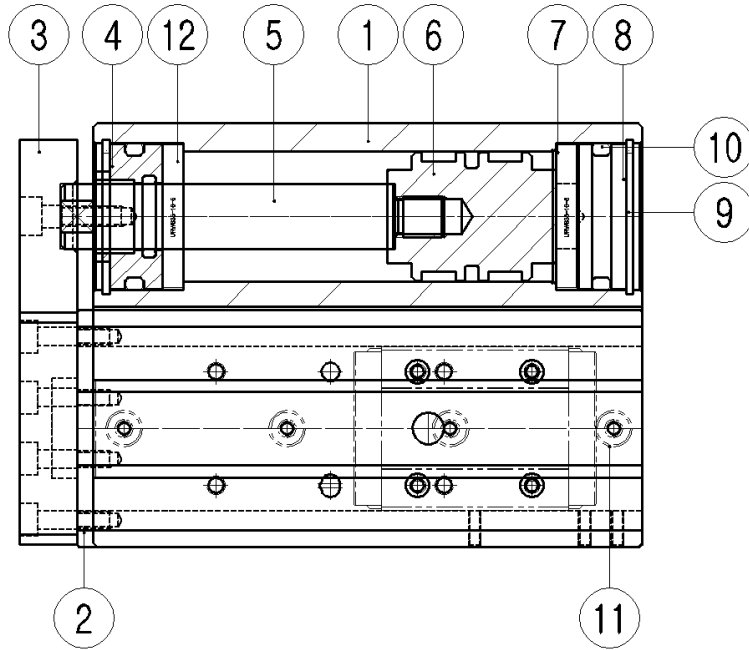
Specifications

Series		NLPS 25	NLPS 32
Bore size	(mm)	25	32
Port size		M5x0.8	PT 1/8
Fluid		Air	
Operating system		Double-acting type	
Operating pressure	(MPa)	0.15 ~ 0.7	
Proof pressure	(MPa)	1.05	
Ambient and fluid temperature	(°C)	-10 ~ 60	
Cushion		Both ends urethane	
Lubrication		None lube	
Sensor type		Photo sensor	
Stroke length tolerance	(mm)	0 ~ 1.4	
Table guide type		LM Guide	

Features



Structure



Parts List

#	Part Name	Material	#	Part Name	Material
1	Tube	Aluminum alloy	7	Cover Side Damper	Urethane
2	Table	Aluminum alloy	8	Cover	Aluminum alloy
3	Plate	Aluminum alloy	9	Snap Ring	Carbon steel
4	Rod Cover	Aluminum alloy	10	O Ring	Rubber
5	Rod	Carbon steel	11	LM Guide	Stainless steel
6	Piston	Aluminum alloy	12	Rod Damper	Urethane

NLPS Series (Compact single table cylinder)

Theoretical Output

(Unit : N)

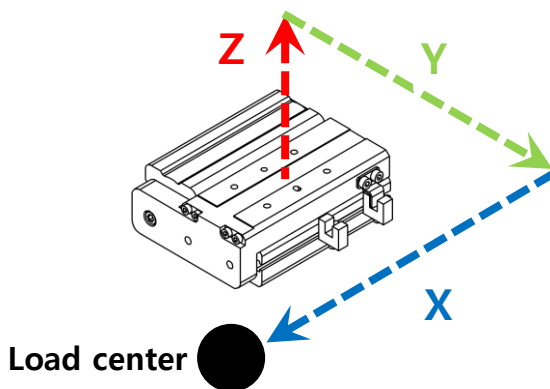
Bore size (mm)	Rod diameter (mm)	Operating direction	Water pressure area (mm ²)	Pressure applied (MPa)					
				0.2	0.3	0.4	0.5	0.6	0.7
25	12	OUT	490	98	147	196	245	294	343
		IN	377	75	113	150	188	226	263
32	16	OUT	811	162	243	324	405	486	567
		IN	611	122	183	244	305	366	427

Model Selection Method

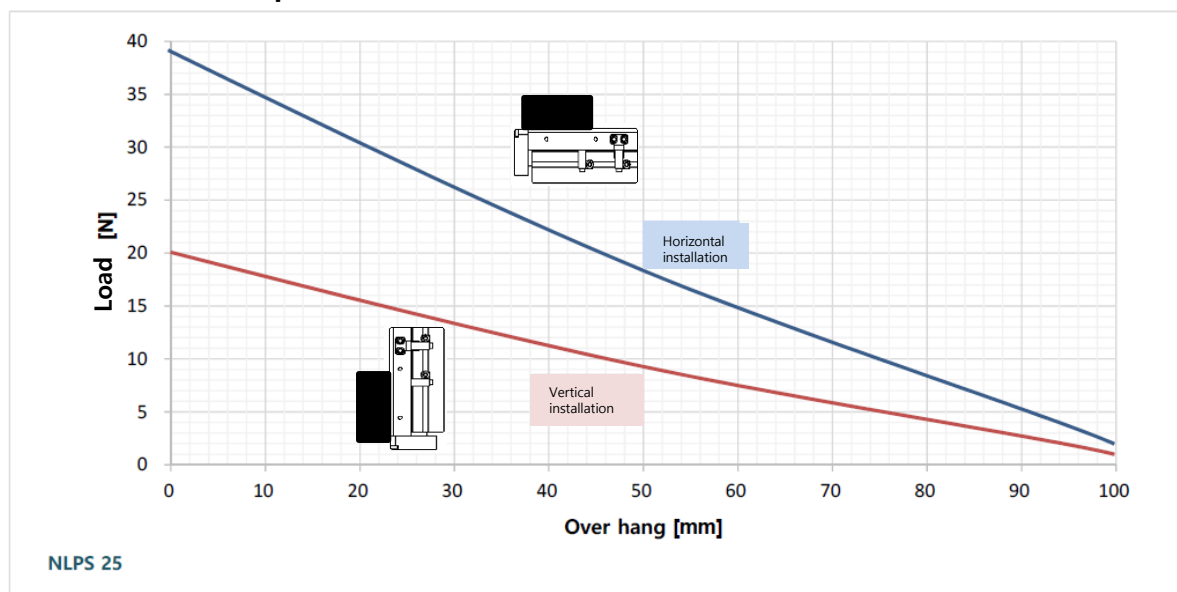
■ Calculate the overhang

$$\text{Overhang} = \sqrt{X^2 + Y^2 + Z^2}$$

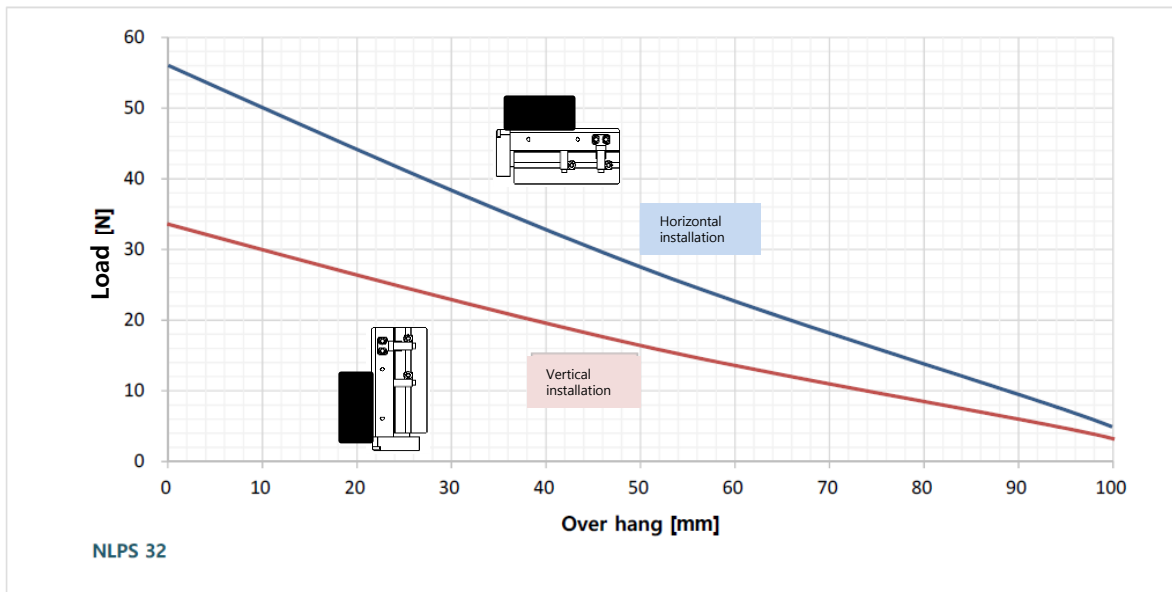
*The overhang is from the center of the table to the center of the load.



■ NLPS 25 Graph

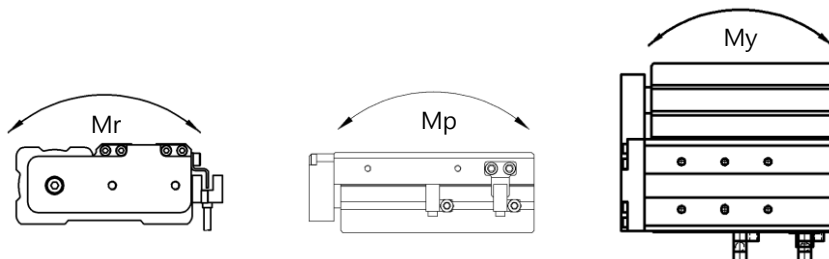


■ NLPS 32 Graph



Allowable moment

Allowable moment (N·m)			
Model	Pitching moment	Yawing moment	Rolling moment
	M_p	M_y	M_r
NLPS 25	33.8	33.8	59.5
NLPS 32	57.0	57.0	11.6

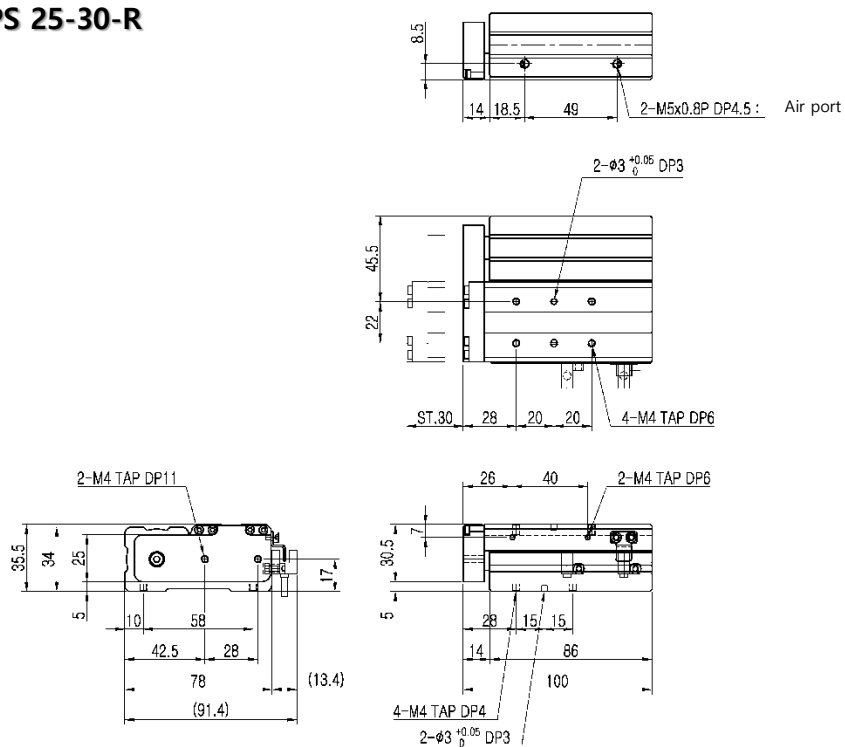


* The product cannot be selected with the allowable moment. Please select the product according to the model selection method.

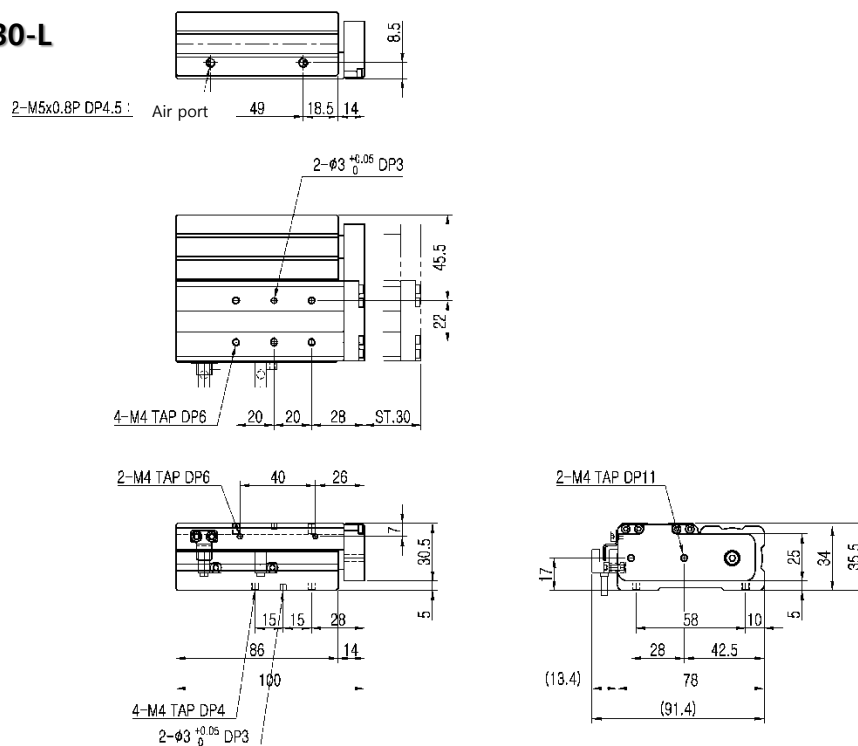
NLPS Series (Compact single table cylinder)

Dimensions

■ NLPS 25-30-R

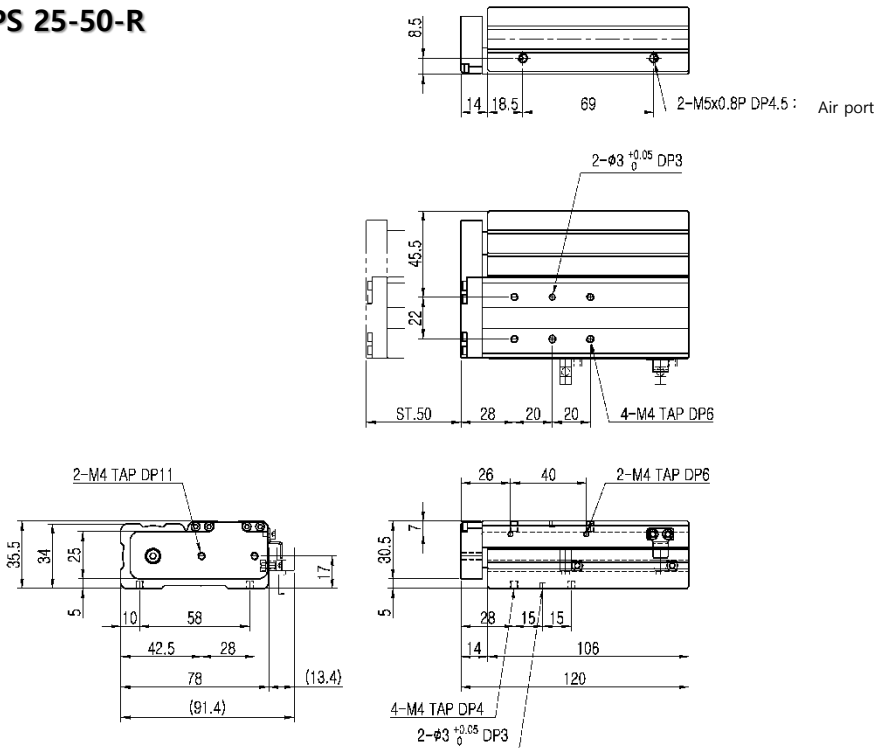


■ NLPS 25-30-L

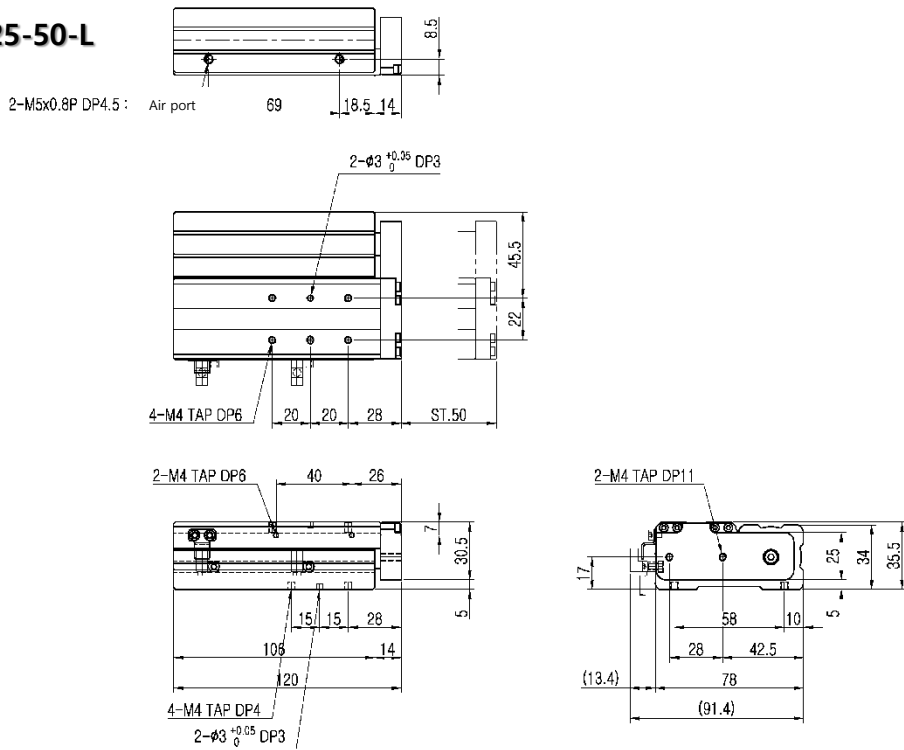


Dimensions

■ NLPS 25-50-R



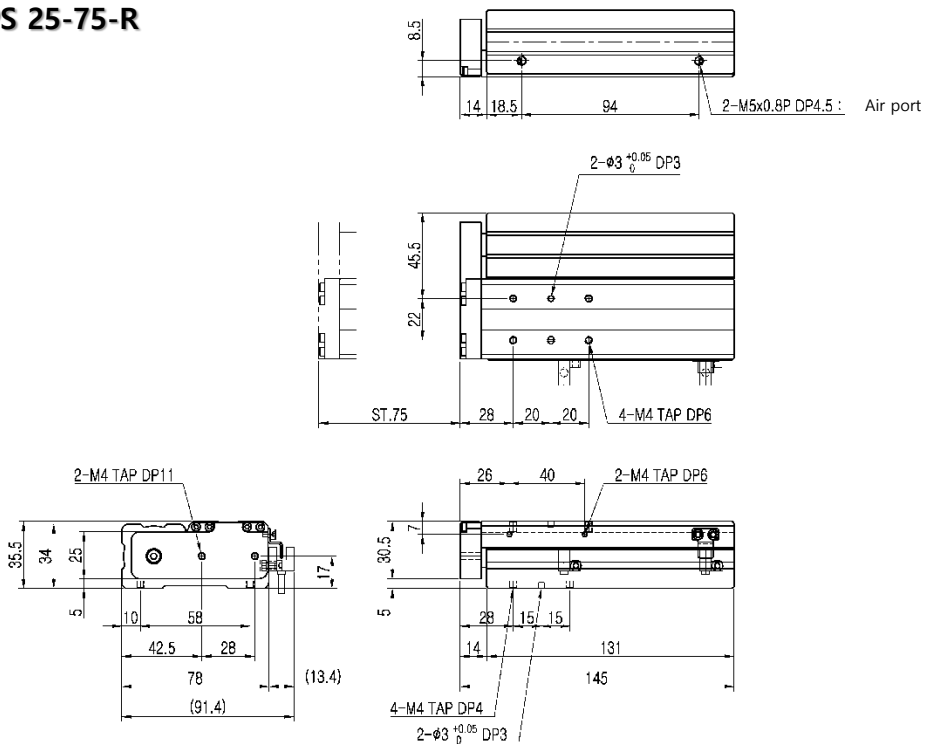
■ NLPS 25-50-L



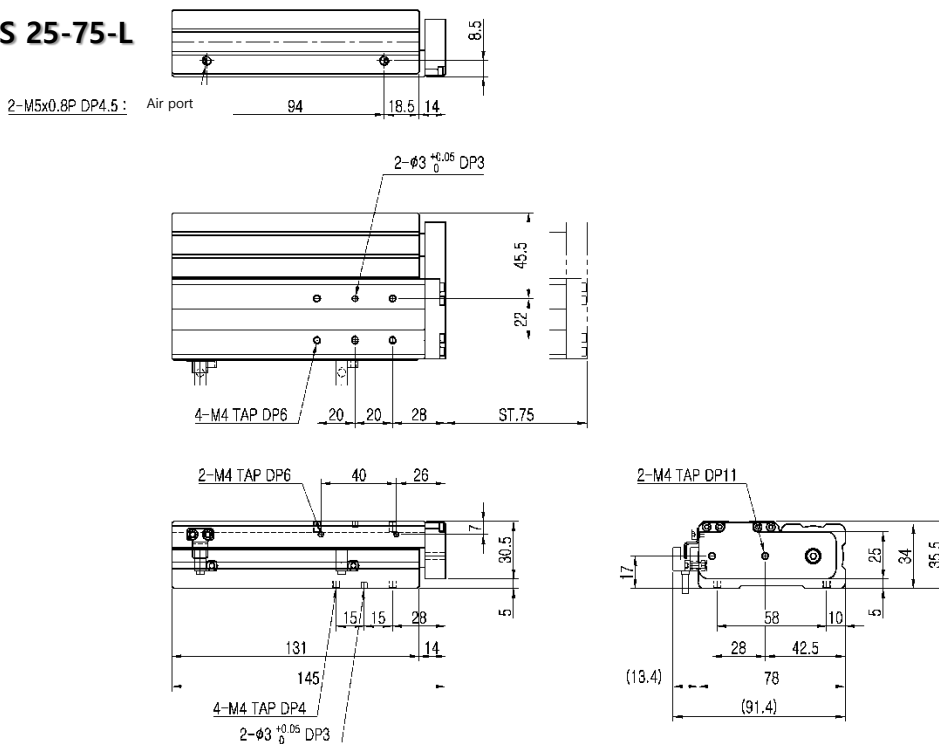
NLPS Series (Compact single table cylinder)

Dimensions

■ NLPS 25-75-R



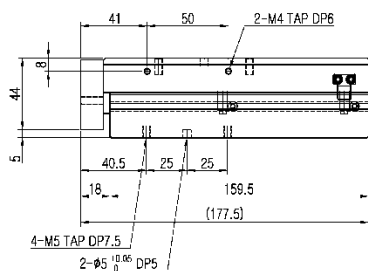
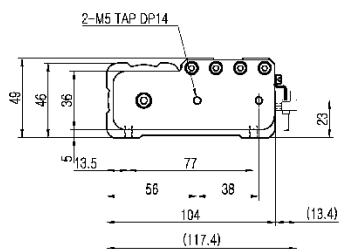
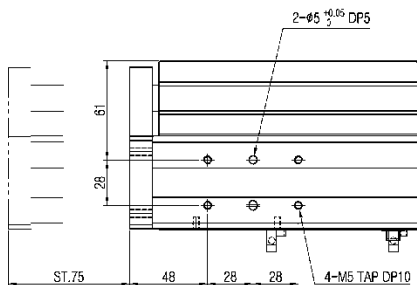
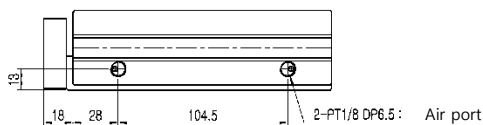
■ NLPS 25-75-L



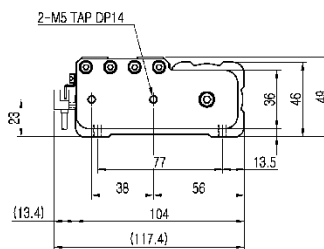
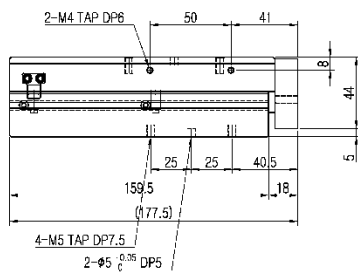
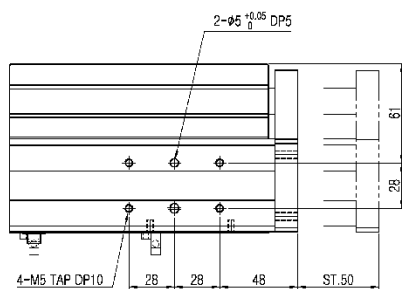
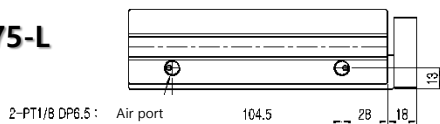
NLPS Series (Compact single table cylinder)

Dimensions

■ NLPS 32-75-R

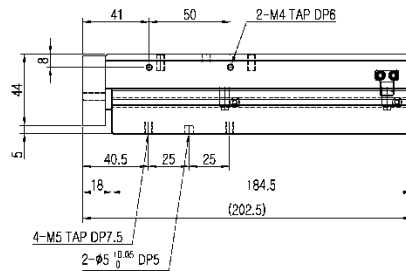
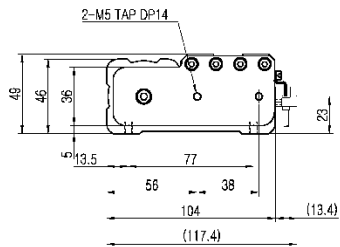
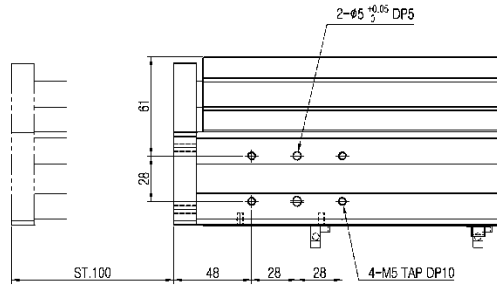
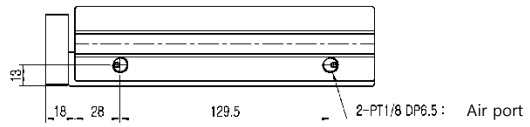


■ NLPS 32-75-L



Dimensions

■ NLPS 32-100-R



■ NLPS 32-100-L

